

SPECIFICATION

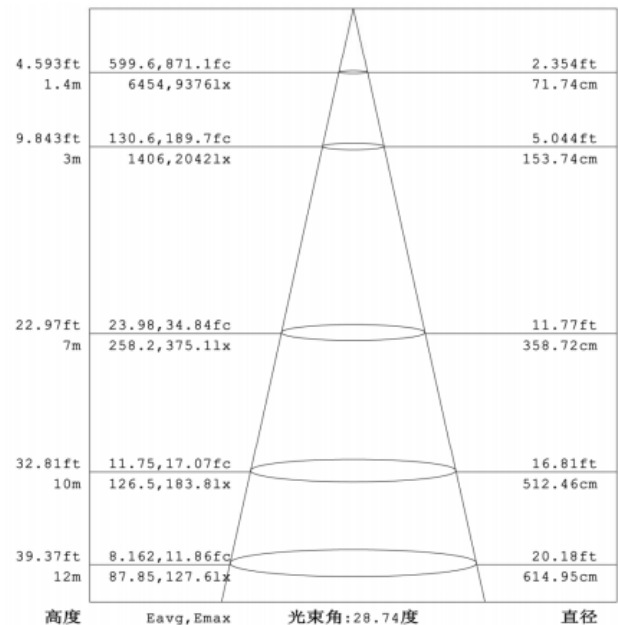
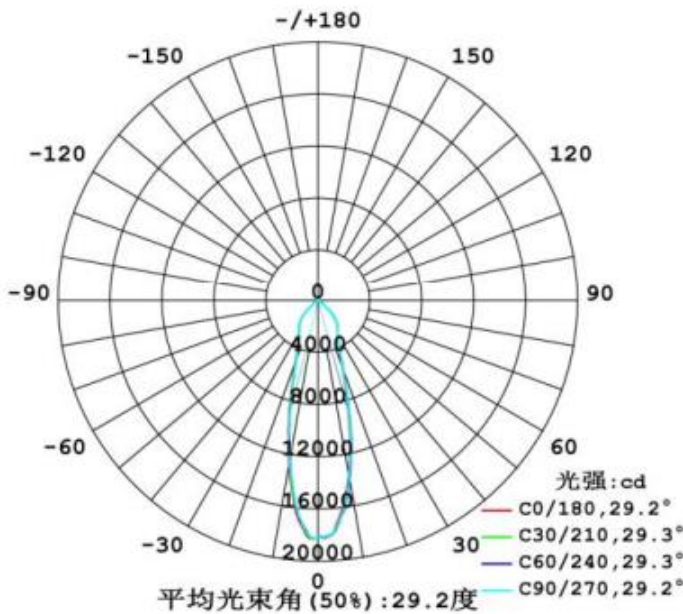
Part No.: NSH-A100W



NEWSTAR LED Lighting

Features

- No UV or IR light radiation.
- Easy Installation
- Long lifetime: 80000 hours
- Correlated Color Temperature:2800-6500K
- AC85~277V input.
- LED type: Osram SMD3030
- IP65 Protection grade
- 5 Years Warranty
- CE, RoHS Certified

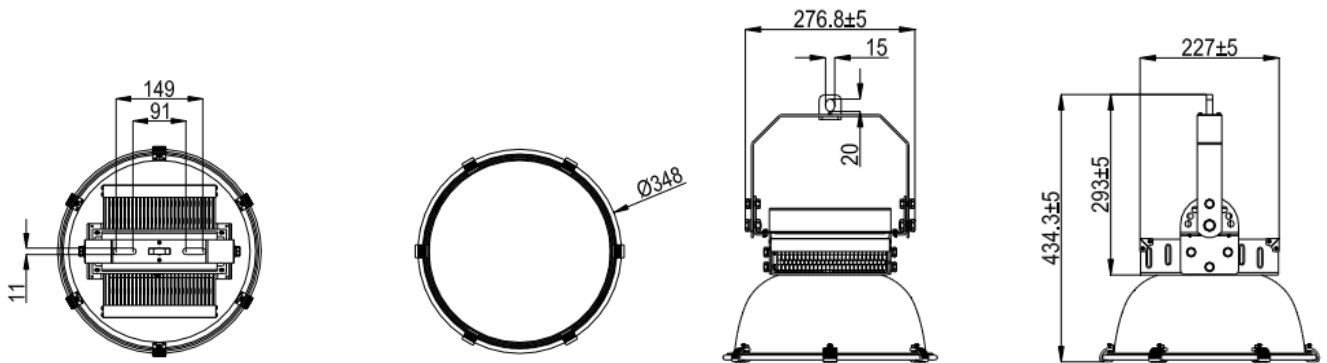


Technical Specifications

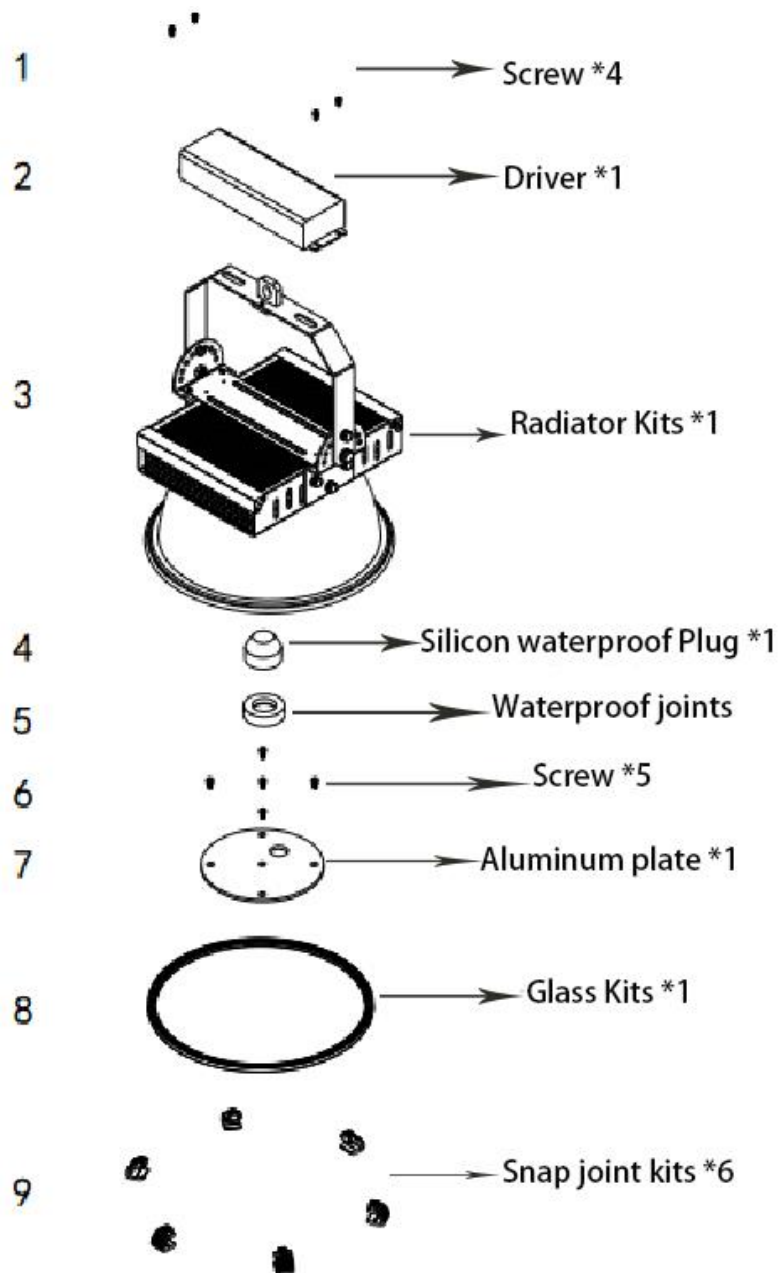
| | | | |
|--------------------|-----------------|---------------------|---------------|
| Power | 100W | CRI | ≥80 |
| Lumens | 10000lm±5% | Color Temperature | 2800~6500K |
| Fixture efficiency | >0.92 | Beam Angle | 25/45/60/90 |
| Power Factor | >0.95 | Frequency Range | 50-60Hz |
| Light Source | Osram SMD3030 | Dimension | 470*348*279mm |
| Driver | MeanWell driver | Working Temperature | -30°C ~+65°C |
| Body& Lampshade | Aluminum Alloy | Weight | 7KG |

SPECIFICATION

Size



Structure



SPECIFICATION

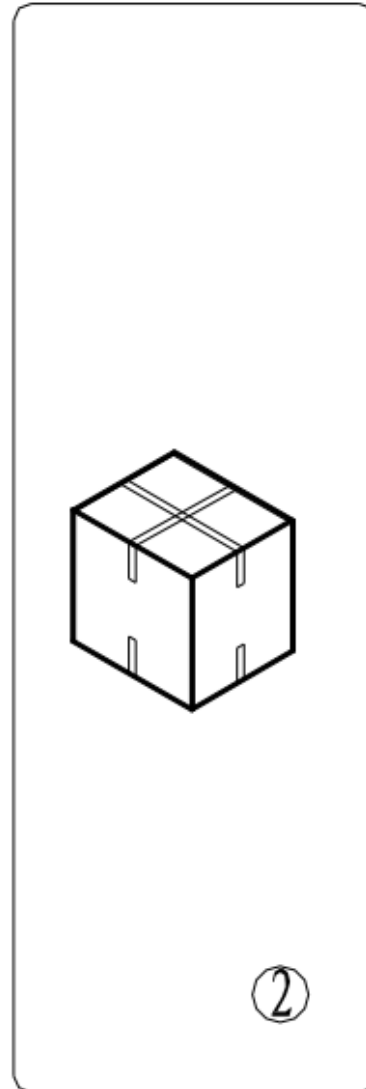
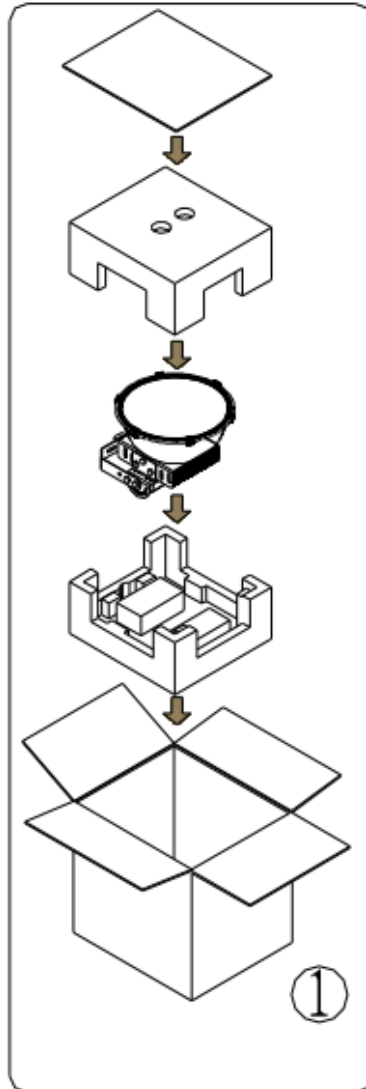
Packing

CTN Size: 46.3*42.3*35cm

Quantity: 1pcs

NW: 5.5KG

GW: 7KG



Installation



Base Mounting



Wall Mounting



Ceiling Mounting

SPECIFICATION

Application

- Shopping mall lighting.
- Exhibition hall lighting
- Parking lot lighting
- Gymnasium lighting
- park, sculpture and national green lighting project
- Tourist attractions lighting
- Green area lighting
- The building elevation of lighting
- Other light sources

