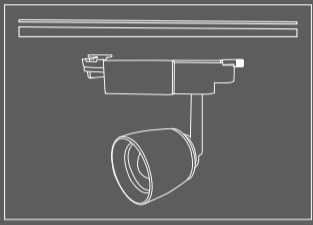


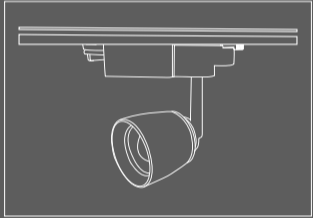
RGBW LED Track Light

- 1.Voltage: 86-265V
- 2.PF: 50-60HZ
- 3.Power: 7W
- 4.White LED: 5X1W
5. RGB LED: 4X1.5W
- 6.Rail: Two Lines
- 7.WiFi enabled smart phone control, 2.4Ghz wireless tech.



Step 1

Install the light in the rail.



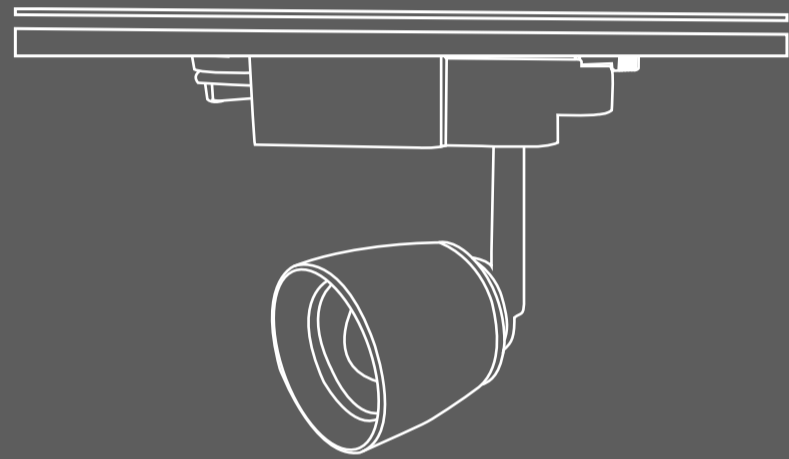
Step 2

a.Link: Press any (■) button of the 4 zones on the remote immediately once you switch on the light. The link is done once the light blinks 3 times.



b.Unlink: Long press the(■) button of the linked zone immediately once you switch on the light. The unlink is done once the light blinks 9 times.

Mi•Light
RGBW



7W RGBW Rail Spotlight

■ WW 2700K-3200K ■ CW 6000K-6500K



Mi•Light
RGBW



Android



iOS

NEWSTAR LED CO., LIMITED
www.newstarleds.com